

# EasyCoder E4 Linerless

P/N 1-960463-01  
Edition 1  
January 2000



Brugervejledning  
Gebrauchsanleitung  
Οδηγες χρήσης  
User's Guide  
Guia de usuario  
Guide d'utilisation

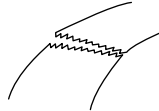
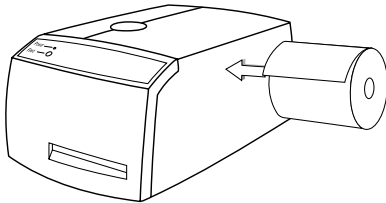
Istruzioni per l'uso  
Gebruikershandleiding  
Brukerveiledning  
Instruções de utilização  
Käyttöohjeet  
Användarhandledning

 **intermec**  
Technologies Corporation

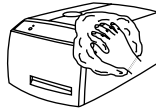
A **UNOVA** Company



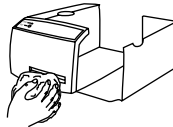
..... 5



..... 9



..... 12



..... 14

---

*Information in this manual is subject to change without prior notice and does not represent a commitment on the part of Intermec Printer AB.*

© Copyright Intermec Printer AB, 2000. All rights reserved. Published in Sweden.

---

### **FCC Notice (United States of America)**

#### **WARNING:**

This equipment generates, uses, and can radiate radio frequency energy and if not installed and used in accordance with the instructions manual, may cause interference to radio communications. It has been tested and found to comply with the limits for a Class A computing device pursuant to Subpart J of Part 15 of FCC Rules, which are designed to provide reasonable protection against such interference when operated in a commercial environment. Operation of this equipment in a residential area is likely to cause interference in which case the user at his own expense will be required to take whatever measures may be required to correct the interference.

---

### **DOC Notice (Canada)**

#### **Canadian Dept. of Communication REGULATIONS COMPLIANCE (DOC-A)**

This digital apparatus does not exceed the class A limits for radio noise emissions from a digital apparatus as set out in the radio interference regulations of the Canadian Department of Communication.

#### **Ministère des Communications du Canada CONFORMITE DE REGLEMENTS (DOC-A)**

Le présent appareil numérique n'émet pas de bruits radio-électriques dépassant les limites applicables aux appareils numériques de classe A prescrites dans le règlement sur brouillage radioélectrique édicté par le Ministère des Communications du Canada.

---

### **EU Standard EN 55022 (The European Union)**

#### **WARNING:**

This is a Class A ITE product. In a domestic environment this product may cause radio interference in which case the user may be required to take adequate measures.

---

# Declaration of Conformity

We,  
**Intermec Printer AB**  
**Idrottsvägen 10**  
**Box 123**  
**S-431 22 Mölndal**  
**Sweden**

declare under our sole responsibility<sup>1</sup> that the product

## **EasyCoder E4**

to which this declaration relates  
is in conformity with the following standards

**Electrical Safety: EN 60950**

**EMC Emissions: EN 50081-1:92**  
**(EN 55022:94, class A, EN 61000-3-2:95)**

**EMC Susceptibility: EN 50082-1:92**  
**(IEC 801-2:84, IEC 801-3:84, IEC 801-4:88)**

following the provisions of Directives

**89/336/EEC and 73/23/EEC**

Mölndal 1999-10-17

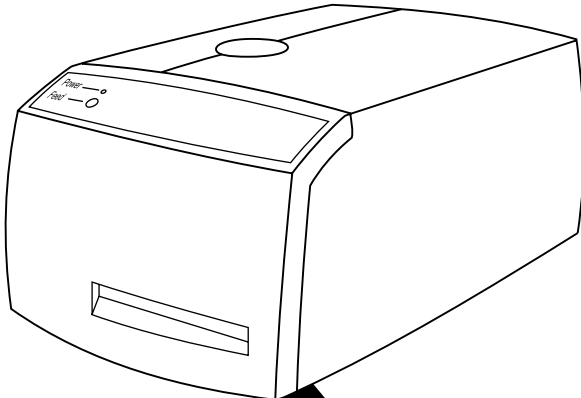







.....  
*Mats Gunnarsson*  
*President*

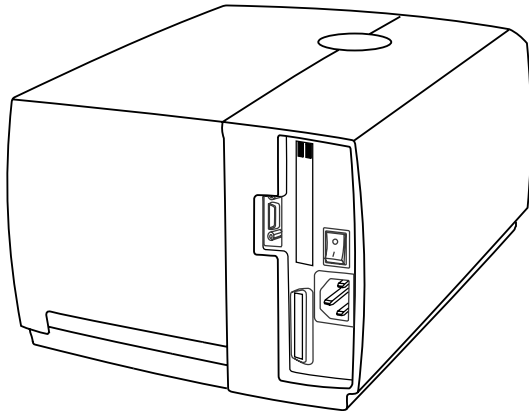
*<sup>1/</sup> Intermec assumes no responsibility as regards fulfilling the CE Directive if the printer is handled, modified or installed in other manners than those described in Intermec's manuals.*

*A printout of this Declaration of Conformity is available, in all the official languages of the European Union, free of charge all local Intermec Sales Units.*

# EasyCoder E4 LinerLess



<b>EasyCoder E4</b>		 SAB FLE LSE-109644-1
Model # 1-301020-11		
Serial # 00021		  N309
110-120/220-240V 4/2A 60/50Hz		
<small>This equipment complies with the requirements for a Class A computing device in FCC Rules Part 15 Subpart J. Operation of this device in a residential area may cause harmful interference requiring the user to take whatever steps may be necessary to correct the interference.</small>		
INTERMEC PRINTER AB, SWEDEN		MADE IN SWEDEN





<b>Dansk</b>	<b>Sikkerhedsforskrifter</b>
<b>Deutsch</b>	<b>Sicherheitsvorschriften</b>
<b>Ελληνικά</b>	<b>Κανονισμοι ασφαλειας</b>
<b>English</b>	<b>Safety requirements</b>
<b>Español</b>	<b>Instrucciones de seguridad</b>
<b>Français</b>	<b>Consignes de sécurité</b>

#### *Dansk*

Intermec frasiger sig ethvert ansvar for opfyldelse af CE-direktivet, såfremt printeren anvendes, ændres eller installeres på anden måde end anført i Intermecs manualer.

#### *Deutsch*

Intermec lehnt jede Verantwortung für die Erfüllung der CE-Direktive ab, falls der Drucker nicht auf die im Intermec-Manual beschriebene Weise bedient, modifiziert oder installiert wird.

#### *Ελληνικά*

Η Intermec Printer AB αποποιείται κάθε ευθύνη σχετική με την τήρηση των διατάξεων ΧΕ στην περίπτωση που χειρισμός, η μετατροπή ή η εγκατάσταση του εκτυπωτή γίνει κατά τρόπο άλλο από αυτόν που περιγράφεται στα εγχειρίδια χρήσης της Intermec Printer AB.

#### *English*

Intermec assumes no responsibility as regards fulfilling the CE Directive if the printer is handled, modified or installed in other manners than those described in Intermec's manuals.

#### *Español*

Intermec renuncia a toda responsabilidad de cumplir con el directivo CE si la impresora está utilizada, montada o instalada de algún otro modo que los descritos en los manuales de Intermec.

#### *Français*

Intermec décline toute responsabilité quant au respect des prescriptions CE si l'imprimante est utilisée, modifiée ou installée contrairement aux procédures décrites dans les manuels Intermec.



---

<b>Italiano</b>	<b>Disposizioni di sicurezza</b>
<b>Nederlands</b>	<b>Veiligheidsvoorschriften</b>
<b>Norsk</b>	<b>Sikkerhetsforskrifter</b>
<b>Português</b>	<b>Normas de segurança</b>
<b>Suomeksi</b>	<b>Turvamääräykset</b>
<b>Svenska</b>	<b>Säkerhetsföreskrifter</b>

#### *Italiano*

Intermec declina ogni responsabilità relativa all'osservanza della direttiva CE se la stampante viene utilizzata, modificata o installata in modo diverso da quanto descritto nei manuali Intermec.

#### *Nederlands*

Intermec aanvaardt geen enkele aansprakelijkheid om te voldoen aan de CE-richtlijnen als de printer op een andere wijze wordt behandeld, gemodificeerd of geïnstalleerd, dan wordt beschreven in de handleidingen van Intermec.

#### *Norsk*

Intermec fraskriver seg alt ansvar for å oppfylle CE-direktivet hvis printeren håndteres, modifieres eller installeres på annen måte enn som beskrevet i Intermec's brukerveiledninger.

#### *Português*

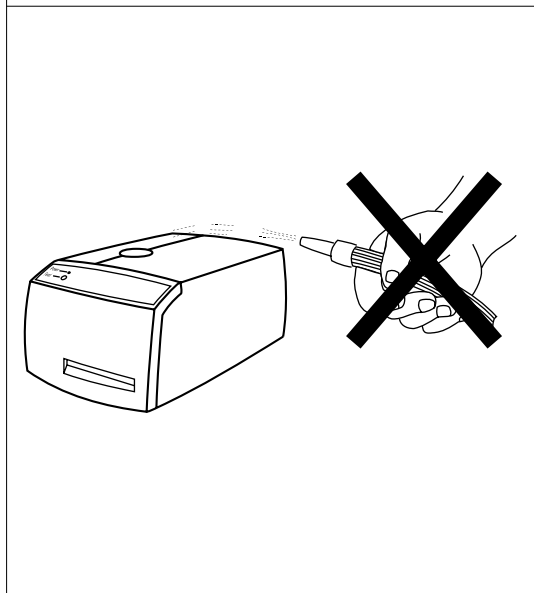
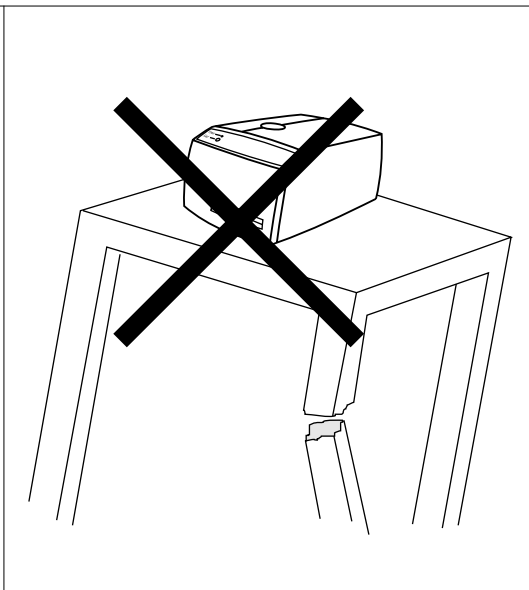
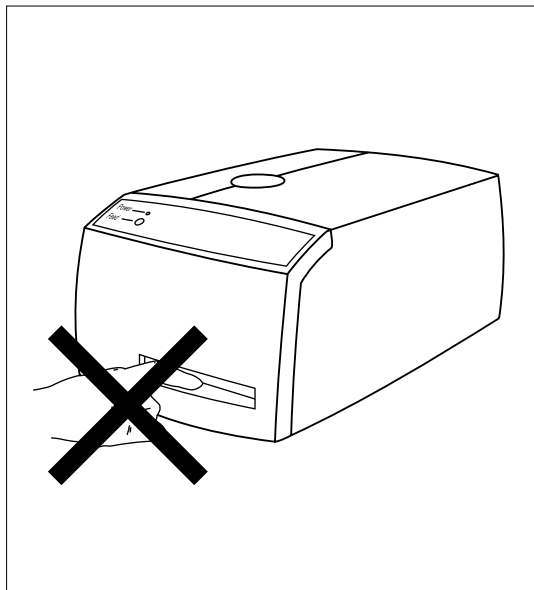
A Intermec declina toda a responsabilidade, que para ela decorre do cumprimento da Directiva CE, se a impressora for utilizada, modificada, ou instalada de modo que contrarie as indicações dos manuais Intermec.

#### *Suomeksi*

Intermec irtisanoutuu kaikesta vastuusta täyttää CE Ohje jos kirjoitinta käsitellään, sitä muutetaan tai se asennetaan muulla kuin Intermecin käsikirjoissa kuvatulla tavalla.

#### *Svenska*

Intermec fransäger sig allt ansvar att uppfylla CE Direktivet om printern hanteras, modifieras, monteras eller installeras på andra sätt än de som beskrivs i Intermecs manualer.



**EasyCoder™ Cleaning Card**  
Part No.: 1-110501-00

Made in U.S.A. 11.5 x 15.2 cm (4 1/2" x 6")

This pre-associated disposable Thermal Transfer Cleaning Card is designed to safely and effectively remove all dirt, ink, resin, adhesive and other contaminants from Thermal Printheads. This Cleaning Card will improve print quality and the life of the Thermal Printhead.

— Works on all EasyCoder Printers —



**DIRECTIONS**


- Turn off power to Thermal Printer and lift Thermal Printhead to loading position.
- Winked label stock and/or Thermal Transfer Printers—use reverse ribbon. Open pouch and pull out the EasyCoder Cleaning Card.
- Insert Cleaning Card following label path. Allow approximately 2-3 cm (1") of Cleaning Card to extend in front of Printhead. Lower Thermal Printhead to operating position.
- Use one hand to hold the Printer and the other hand to pull Cleaning Card forward until entire Card has been printed from. Insert Cleaning Card a second time and repeat the procedure.
- Dispose of Cleaning Card properly.

**RECOMMENDED USAGE**

Use EasyCoder Cleaning Cards before loading each new roll of label or ticket stock.

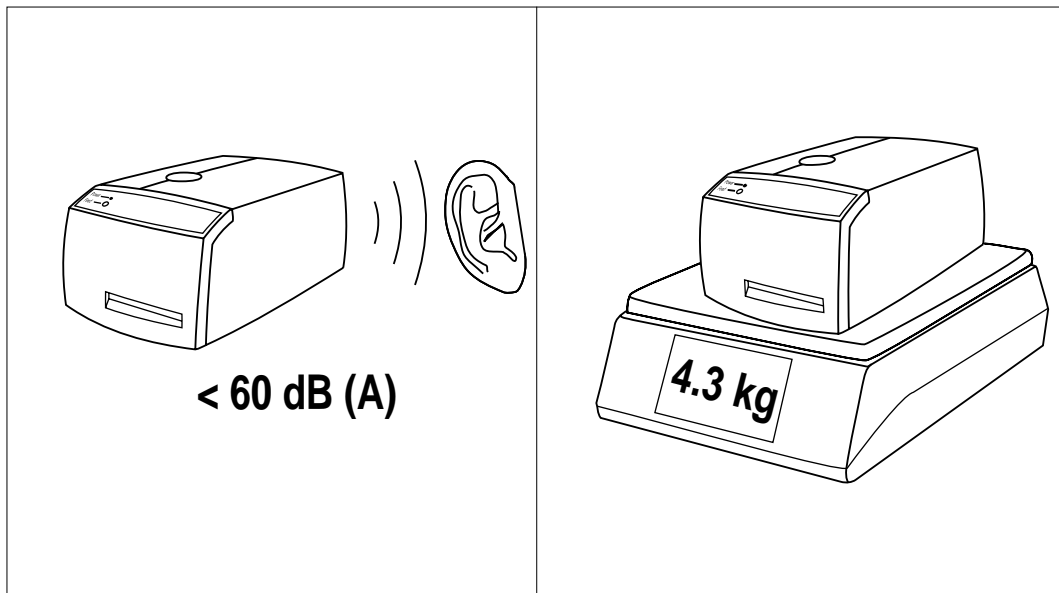
**Safe • Easy • Effective • Protects your equipment**

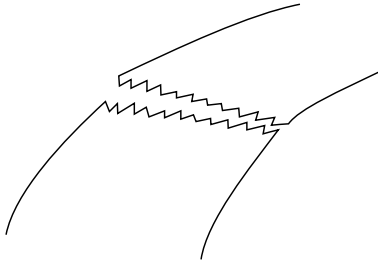
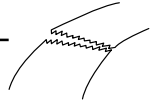
  


  
**HIGHLY  
FLAMMABLE**

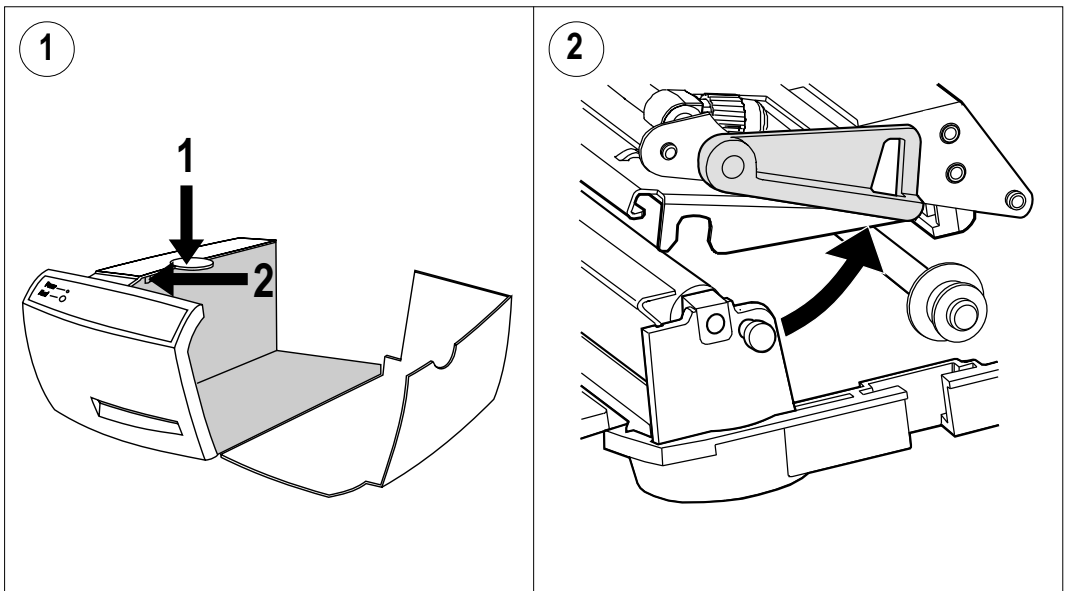
**Isopropyl Alcohol**  
**(CH<sub>3</sub>)<sub>2</sub>CHOH**  
**CAS 67-63-0**

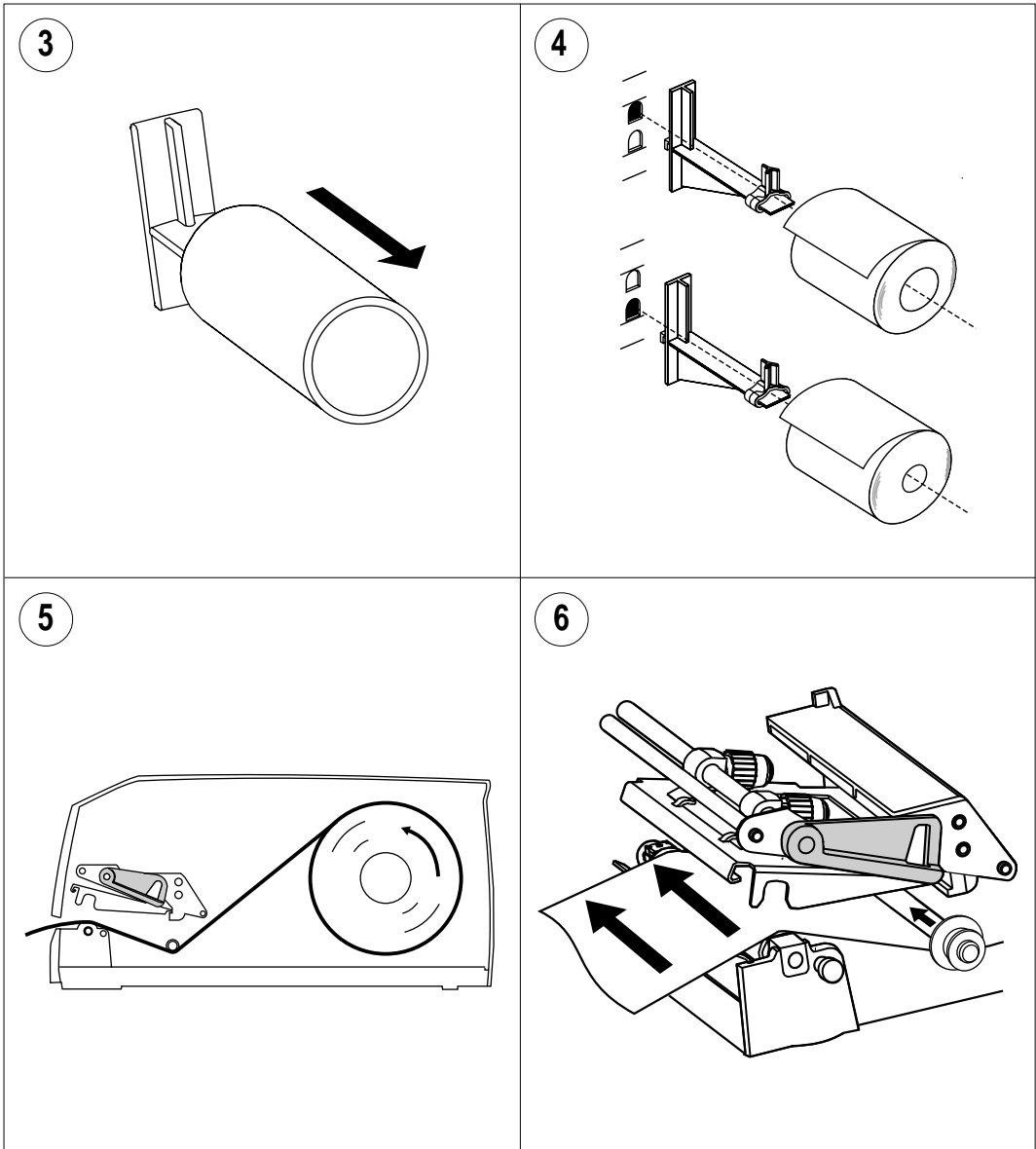
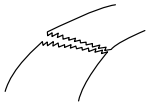


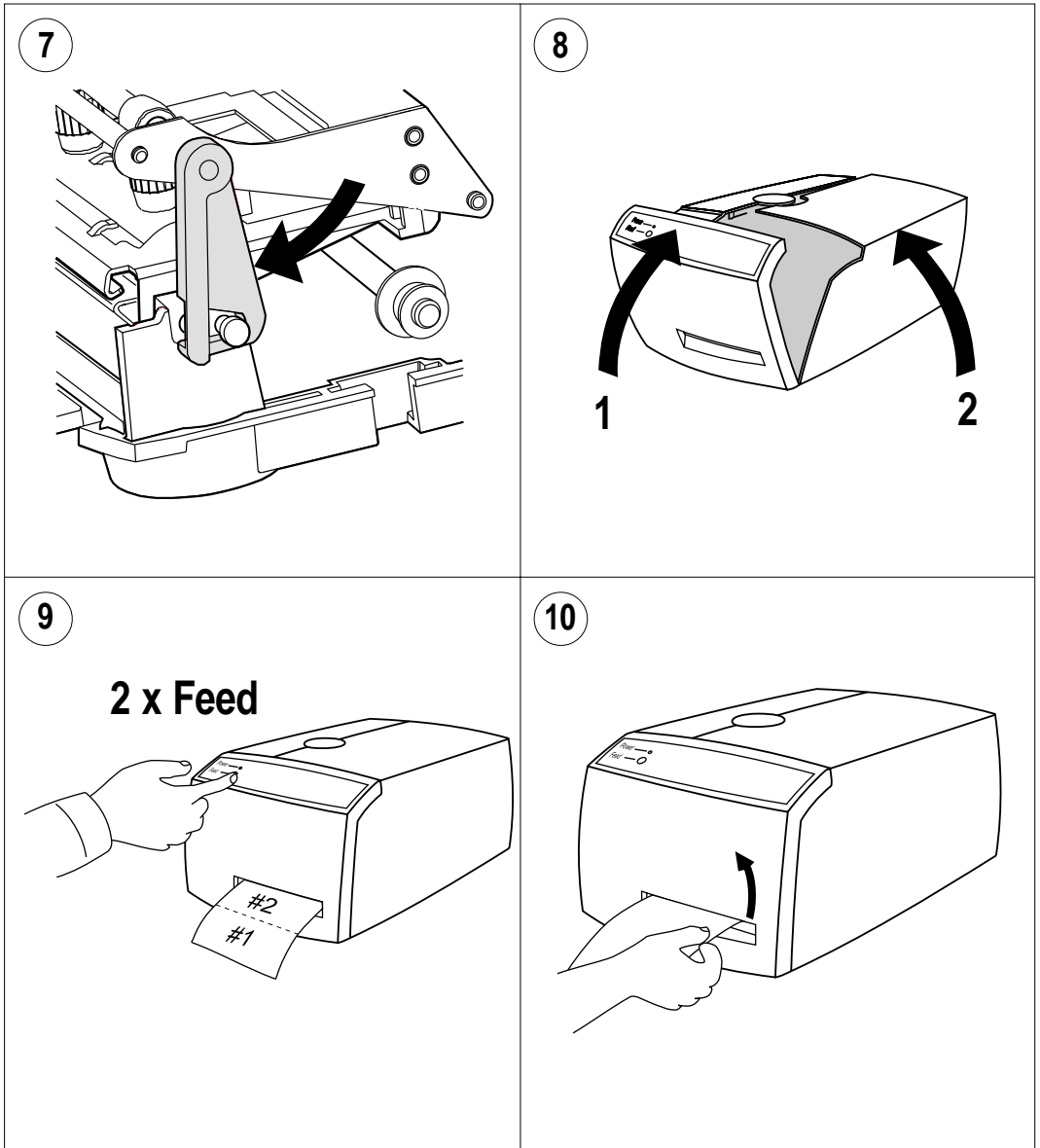
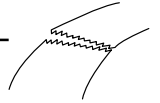


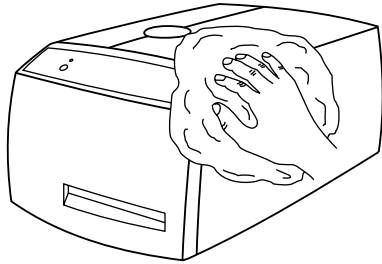
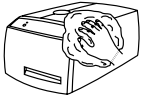


<b>Dansk</b>	Isætning af papir – Afriv
<b>Deutsch</b>	Nachfüllen von Papier – Abreißen
<b>Ελληνικά</b>	Τοποθέτηση χαρτίου – Σκισίμο ετικετας
<b>English</b>	Paper load – Tear off
<b>Español</b>	Carga de papel – Arrancar
<b>Français</b>	Chargement du papier – Déchirer
<b>Italiano</b>	Caricamento della carta – Strappare
<b>Nederlands</b>	Het laden van papier – Afscheuren
<b>Norsk</b>	Lading av papir – Riv av
<b>Português</b>	Colocação do papel – Rasgue
<b>Suomeksi</b>	Paperin lataaminen – Repäise
<b>Svenska</b>	Laddning av papper – Riv av

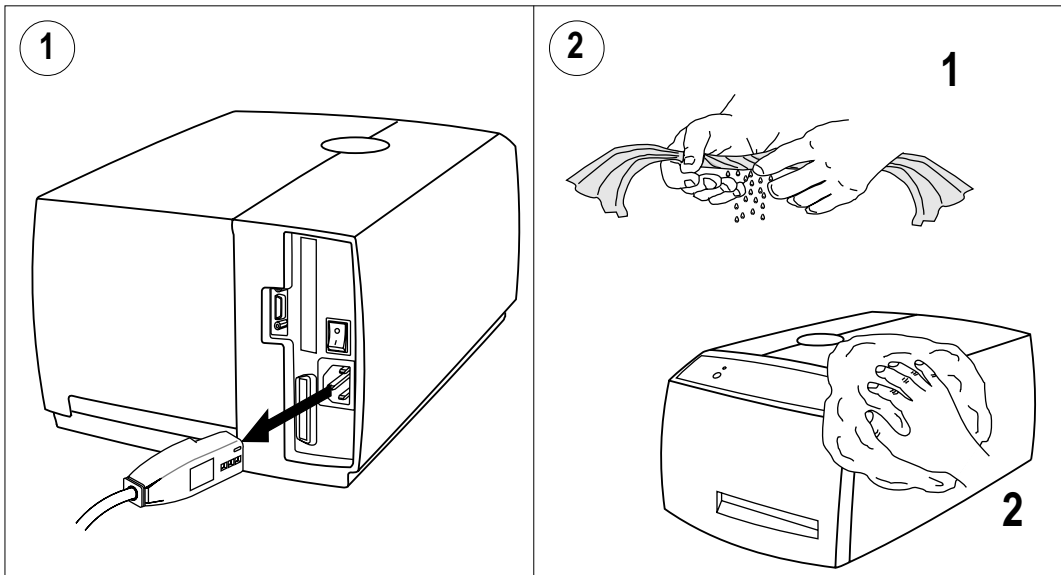


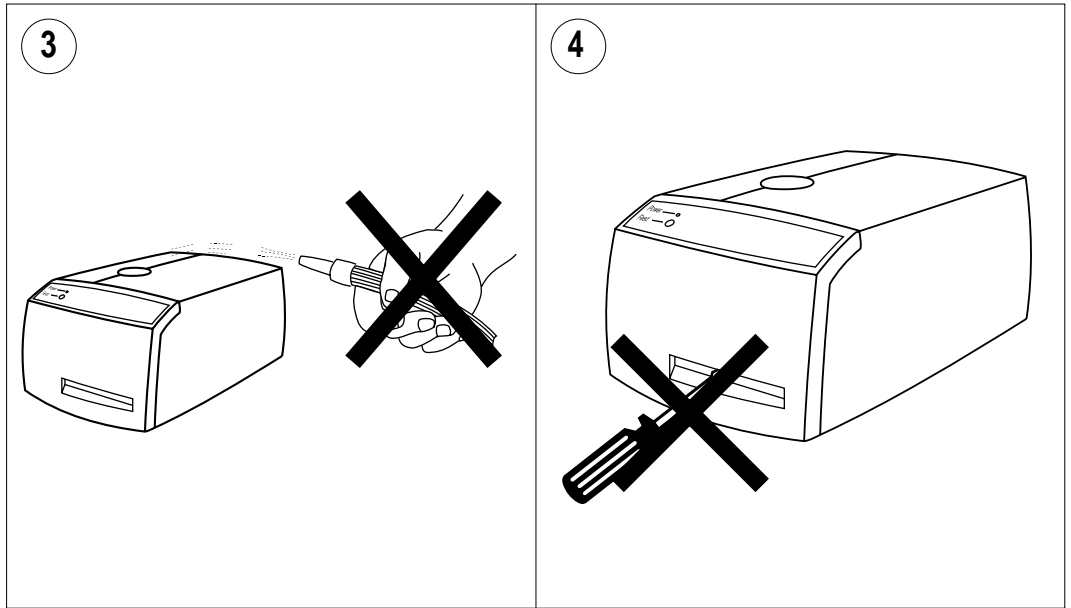
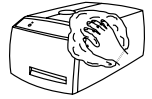


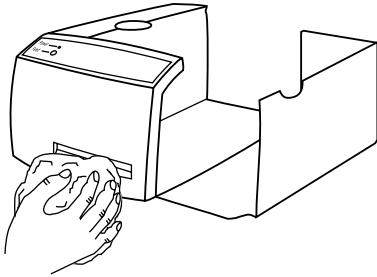
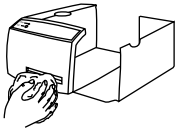




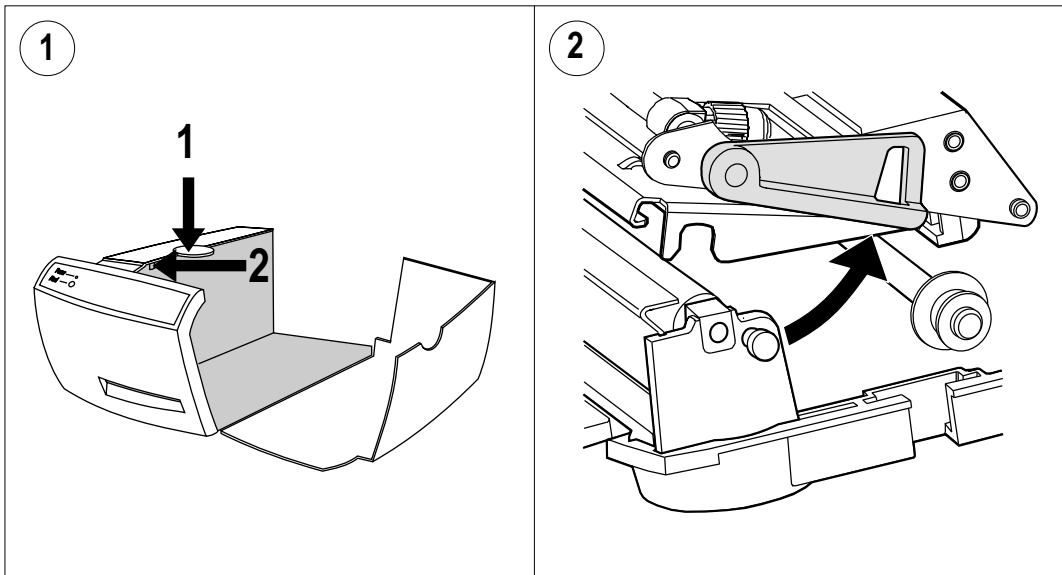
<b>Dansk</b>	<b>Rengøring – Yderdæksel</b>
<b>Deutsch</b>	<b>Reinigung – Gehäuse</b>
<b>Ελληνικά</b>	<b>Καθαρισμός – Εξωτερικά</b>
<b>English</b>	<b>Cleaning – External</b>
<b>Español</b>	<b>Limpieza – Cubierta exterior</b>
<b>Français</b>	<b>Nettoyage – Extérieur</b>
<b>Italiano</b>	<b>Pulizia – Involucro esterno</b>
<b>Nederlands</b>	<b>Reiniging – Buitenkant omhulsel</b>
<b>Norsk</b>	<b>Rengjøring - Ytterdæksel</b>
<b>Português</b>	<b>Limpeza – Revestimento exterior</b>
<b>Suomeksi</b>	<b>Puhdistaminen – Ulkokuori</b>
<b>Svenska</b>	<b>Rengöring – Ytterhölje</b>

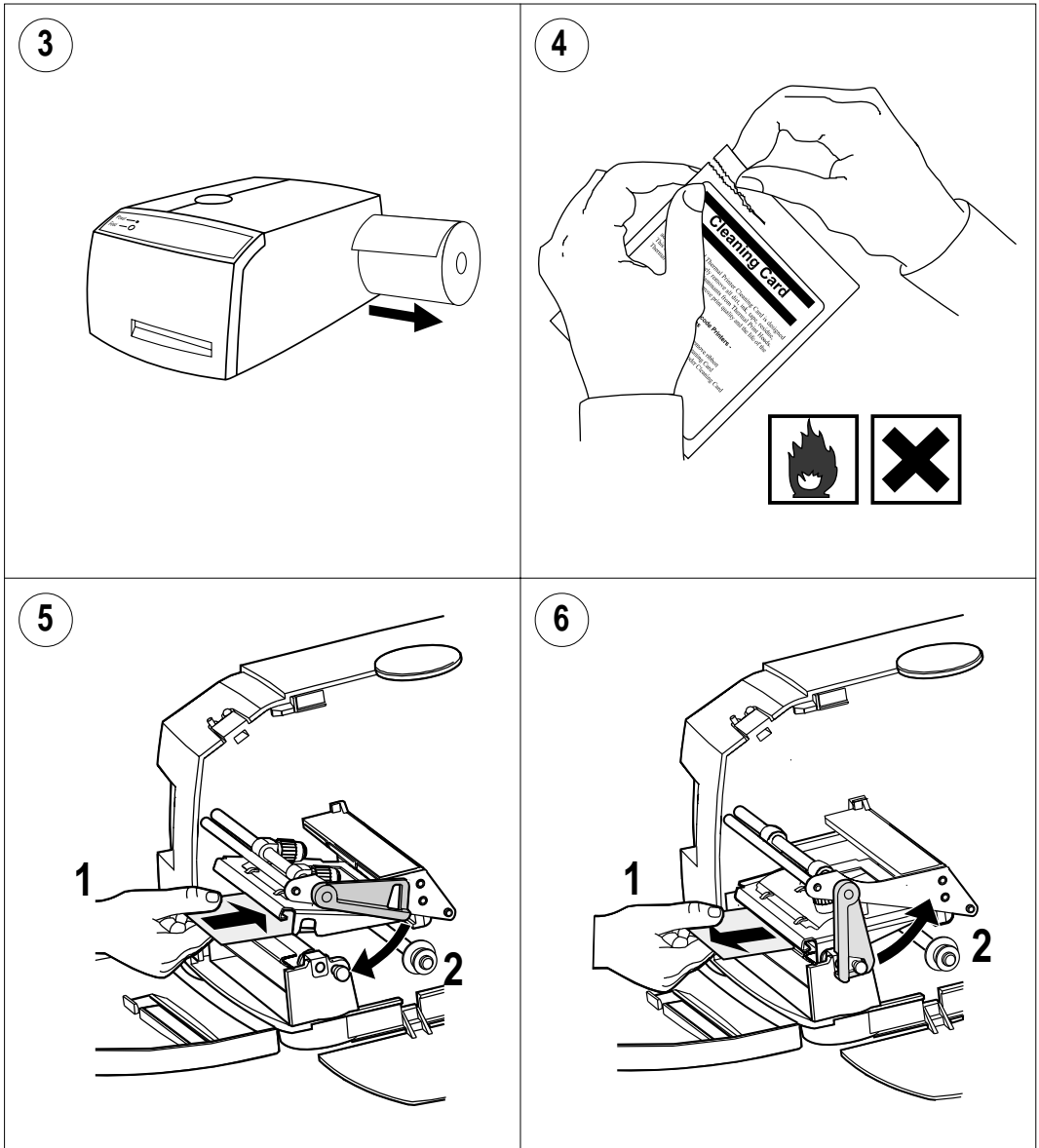
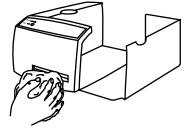




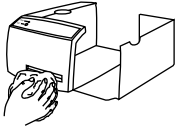


<b>Dansk</b>	Rengøring – Termohoved
<b>Deutsch</b>	Reinigung – Druckkopf
<b>Ελληνικά</b>	Καθαρισμός – Θερμικής κεφαλής
<b>English</b>	Cleaning – Printhead
<b>Español</b>	Limpieza – Cabeza de impresión
<b>Français</b>	Nettoyage – Tête d'impression
<b>Italiano</b>	Pulizia – Testa stampante
<b>Nederlands</b>	Reiniging – Printkop
<b>Norsk</b>	Rengjøring - Trykkhode
<b>Português</b>	Limpeza – Cabeça impressora
<b>Suomeksi</b>	Puhdistaminen – Painopää
<b>Svenska</b>	Rengöring – Tryckhuvud

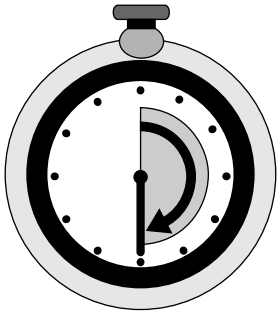




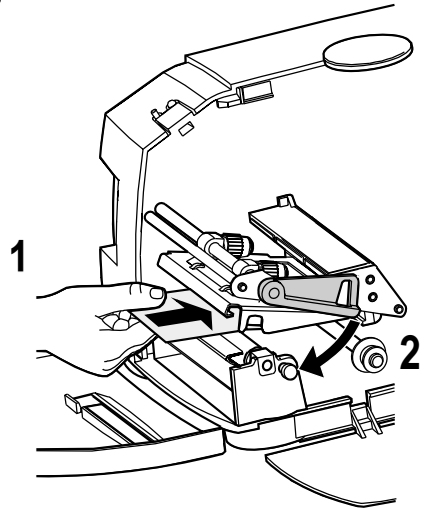




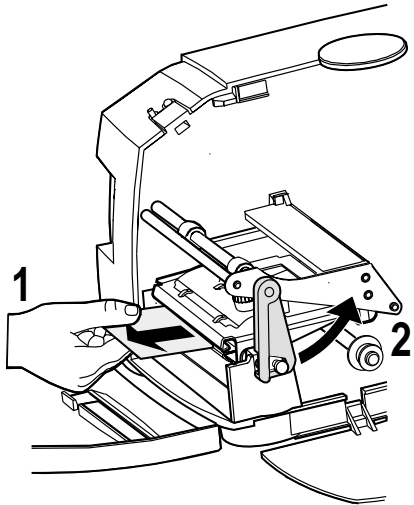
7



8



9



10

